

Preventative Maintenance Kits

YORK® Air & Water Cooled Chillers



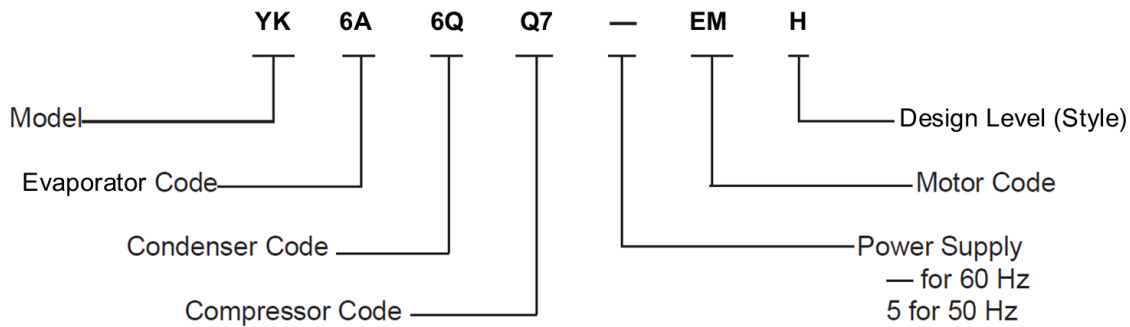
Proactive not reactive

Chillers are important assets to any mechanical room. They can be expected to run for 15-25 years when properly maintained. Performing regular preventative maintenance, either on a time-based or condition-based approach, helps to ensure your chiller maintains efficiency, boosts uptime, and can provide savings by averting unplanned repairs.

Johnson Controls Applied Parts has expanded our Preventative Maintenance kitted parts offering to additional models to ensure we are providing all the parts needed for regular preventative maintenance in one easy-to-order package.

A few things to note:

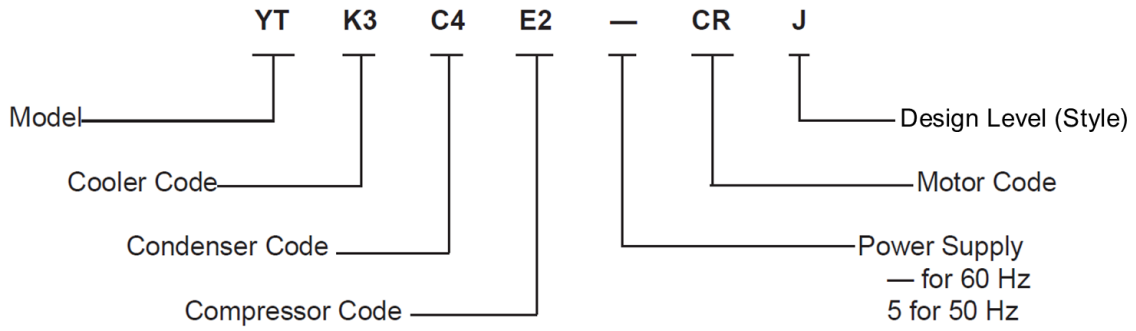
- Air Cooled Screw and Water Cooled Screw Chillers: PM kits include oil required for annual maintenance.
- Water Cooled Centrifugal Chillers: Be sure to order the applicable YORK® Genuine Oil (found on page 7) with the PM kit, along with any gasket material for replacing evaporator and condenser gasketing.



YK

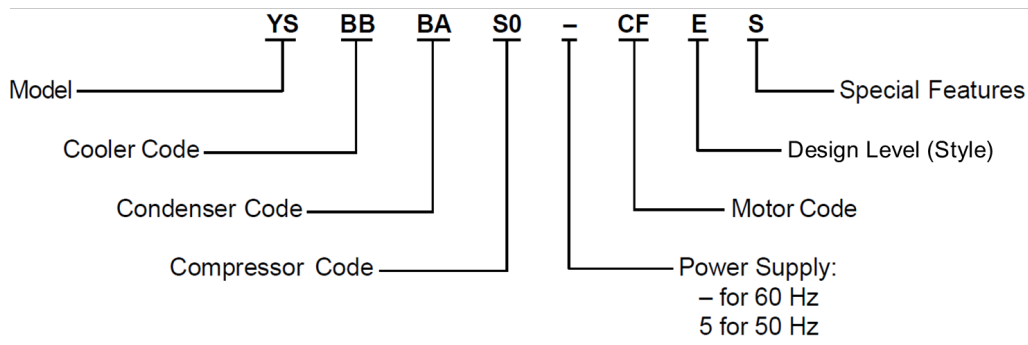
| Kit PN | Kit Name & Applicable Models | Kit Contents | | |
|---------------|---|------------------|------------------------------|-----|
| | | Item Part Number | Item Description | Qty |
| 366 94952 013 | PM Kit for YK Style A, B, and C chillers (Single Oil Filters) | 026 13508 000 | Filter Drier 3/8" Male Flare | 2 |
| | | 028 08312 005 | Gasket & O-ring Kit | 1 |
| | | 392 10719 000 | Filter Spring/Element Kit | 1 |
| 366 94952 213 | PM Kit for YK Style A, B, and C chillers (Dual Oil Filters) | 026 13508 000 | Filter Drier 3/8" Male Flare | 2 |
| | | 028 08312 005 | Gasket & O-ring Kit | 2 |
| | | 392 10719 000 | Kit, Filter Spring/Element | 2 |
| 366 94952 014 | PM Kit for YK Style D & E Chillers - Long Filter w/Spring | 026 13508 000 | Filter Drier 3/8" Male Flare | 1 |
| | | 028 08312 005 | Gasket & O-ring Kit | 1 |
| | | 392 10719 000 | Filter Spring/Element Kit | 1 |
| 366 94952 015 | PM kit for YK Style D & E Chillers - Short Filter | 026 13508 000 | Filter Drier 3/8" Male Flare | 1 |
| | | 364 50438 000 | Filter Kit | 1 |
| 366 94952 214 | PM kit for YK Style D & E Chillers - Long Filter (Dual Oil Filter configuration) | 026 13508 000 | Filter Drier 3/8" Male Flare | 2 |
| | | 028 08312 005 | Gasket & O-ring Kit | 2 |
| | | 392 10719 000 | Filter Spring/Element Kit | 2 |
| 366 94952 215 | PM kit for YK Style D & E Chillers - Short Filter (Dual Oil Filter configuration) | 026 13508 000 | Filter Drier 3/8" Male Flare | 1 |
| | | 364 50438 000 | Oil Filter and Gasket Kit | 2 |
| 366 94952 016 | PM Kit for YK Style F & G Chillers (shipped prior to Aug 2016) | 026 37563 000 | Filter Drier | 1 |
| | | 028 12961 012 | O-ring | 2 |
| | | 028 15798 000 | Gasket | 1 |
| | | 364 50438 000 | Filter Kit | 1 |
| 366 94952 216 | PM Kit for YK Style F & G Chillers (shipped prior to Aug 2016; Dual oil filter configuration) | 026 37563 000 | Filter Drier 3/8" OFS | 1 |
| | | 028 12961 012 | O-ring 0.364ID | 2 |
| | | 364 50438 000 | Oil Filter and Gasket Kit | 2 |
| 366 94952 019 | PM Kit for YK Style G and Later Chillers w/Spin on Filter | 326 42802 600 | Kit, Cartridge Spin ON | 1 |
| | | 026 37563 000 | Filter Drier | 1 |
| | | 028 12961 012 | O-ring 0.364ID | 2 |
| 366 94952 219 | PM Kit for YK Style G and Later Chillers w/Spin on Filters (Dual oil filter configuration) | 326 42802 600 | Kit, Cartridge Spin ON | 1 |
| | | 026 37563 000 | Filter Drier | 2 |
| | | 028 12961 012 | O-ring 0.364ID | 2 |





YT

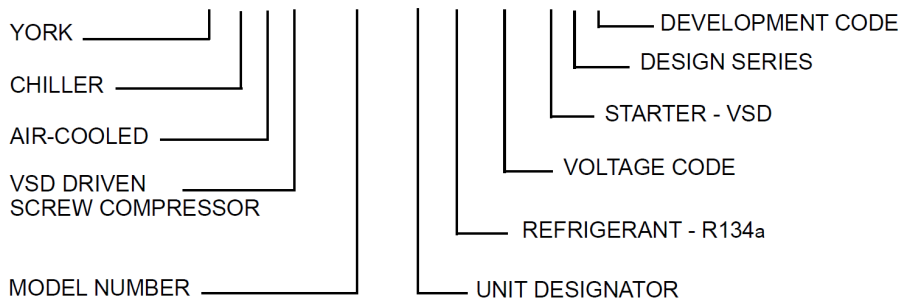
| Kit PN | Kit Name & Applicable Models | Kit Contents | | |
|---------------|---|------------------|-----------------------------|-----|
| | | Item Part Number | Item Description | Qty |
| 366 94952 009 | PM Kit for YT Style A-G Chillers | 026 11225 000 | 15 Micron Filter Cartridge | 1 |
| | | 026 14777 007 | Filter Drier 1/2" SAE Flare | 2 |
| | | 028 08312 KIT | Gasket Kit | 1 |
| | | 029 16764 000 | Strainer 1/4 Male Flare | 1 |
| 366 94952 010 | PM Kit for YT Style H Chillers | 026 14777 007 | Filter Drier 1/2" SAE Flare | 2 |
| | | 026 35961 000 | Filter Element | 1 |
| | | 028 08312 KIT | Gasket Kit | 1 |
| | | 029 21710 000 | Strainer | 1 |
| 366 94952 011 | PM Kit for YT Style J Chillers w/Long Filter | 026 14777 007 | Filter drier 1/2" SAE Flare | 1 |
| | | 026 32841 000 | Filter Drier | 1 |
| | | 026 35961 000 | Element Filter | 1 |
| | | 028 08312 KIT | Gasket Kit | 1 |
| | | 028 12709 000 | Seal | 2 |
| | | 029 21710 000 | Strainer | 1 |
| 366 94952 012 | PM Kit for YT Style J Chillers w/Short Filter | 026 14777 007 | Filter drier 1/2" SAE Flare | 1 |
| | | 026 32841 000 | Filter Drier | 1 |
| | | 026 37915 000 | Oil Filter | 1 |
| | | 028 12709 000 | Seal | 2 |
| | | 028 14404 000 | O-ring | 1 |
| | | 029 21710 000 | Strainer | 1 |



YR / YS / YVWA

| Kit PN | Kit Name & Applicable Models | Kit Contents | | |
|---------------|--|------------------|--------------------------|-----|
| | | Item Part Number | Item Description | Qty |
| 366 94952 020 | YR PM Kit – Single filter configuration | 364 50438 000 | Oil Filter & O-ring kit | 1 |
| | | 026 37563 000 | Filter Drier | 2 |
| | | 028 12961 012 | O-ring | 4 |
| | | 026 43089 000 | Filter Drier 3/4" OFS | 1 |
| | | 028 12961 015 | O-ring | 2 |
| 366 94952 220 | YR PM Kit – Dual Filter Configuration | 364 50438 000 | Oil Filter & O-ring kit | 2 |
| | | 026 37563 000 | Filter Drier | 2 |
| | | 028 12961 012 | O-ring | 4 |
| | | 026 43089 000 | Filter Drier 3/4" OFS | 1 |
| | | 028 12961 015 | O-ring | 2 |
| 366 94952 017 | PM Kit for YS Style C Chillers | 026 32839 000 | Filter drier 5/8" OFS | 2 |
| | | 026 32841 000 | Filter drier | 1 |
| | | 026 34428 000 | Seal kit | 2 |
| | | 028 12709 000 | Seal | 6 |
| | | 364 50438 000 | Filter kit | 2 |
| 366 94952 018 | PM Kit for YS Style D & E Chillers | 026 32000 000 | O-ring kit | 1 |
| | | 026 32839 000 | Filter drier 5/8" OFS | 2 |
| | | 026 32841 000 | Filter drier | 1 |
| | | 028 12709 000 | Seal | 6 |
| | | 364 50438 000 | Filter kit | 1 |
| 366 94952 026 | PM Kit for YVWA Single Compressor Chillers | 026 35601 000 | Oil Filter | 1 |
| | | 028 13849 000 | O-Ring | 1 |
| | | 026 32839 000 | Filter Drier 1-14 UN-2A | 1 |
| | | 028 12709 000 | Seal Teflon Fiber 3/4 OD | 2 |
| | | 011 00962 000 | Oil, Type "L", 1 Qt | 1 |
| 366 94952 027 | PM Kit for YVWA Dual Compressor Chillers | 026 35601 000 | Oil Filter | 2 |
| | | 028 13849 000 | O-Ring | 2 |
| | | 026 32839 000 | Filter Drier 1-14 UN-2A | 2 |
| | | 028 12709 000 | Seal Teflon Fiber 3/4 OD | 4 |
| | | 011 00962 000 | Oil, Type "L", 1 Qt | 2 |

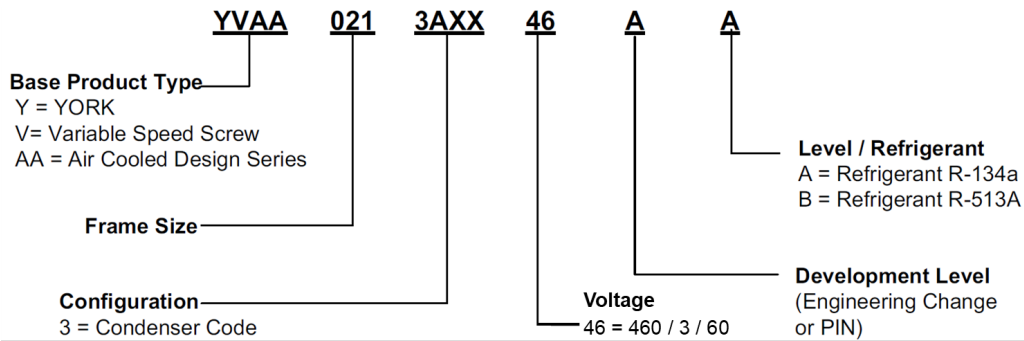
Y C I V - 0720 - S - A - 46 - V A A



YCIV / YCAV

| Kit PN | Kit Name & Applicable Models | Kit Contents | | |
|---------------|---|------------------|-------------------------------|-----|
| | | Item Part Number | Item Description | Qty |
| 366 94952 021 | PM Kit for YCIV 2 Compressor Chiller Models YCIV0157, YCIV0177, YCIV0187, YCIV0197, YCIV0207, YCIV0227, YCIV0247, YCIV0267S / 0267P/ 0267H / 0267C, YCIV0590, YCIV0600, YCIV0630, YCIV0650, YCIV0700, YCIV0720, YCIV0760, YCIV0770, YCIV0800, YCIV0830, YCIV0840, YCIV0920, YCIV0930, YCIV1000 | 026 35601 000 | Oil Filter | 2 |
| | | 028 13849 000 | O-Ring | 2 |
| | | 026 37540 000 | Ctg Dehydrator 100% Molecular | 6 |
| | | 011 00962 000 | Oil, Type "L", 1 Qt | 2 |
| | | 026 35601 000 | Oil Filter | 3 |
| 366 94952 024 | PM Kit for YCIV 3 Compressor Chiller Models YCIV0267E / 0267V / 0267D, YCIV0287, YCIV0307, YCIV0327, YCIV0357, YCIV0397, YCIV1050, YCIV1070, YCIV1120, YCIV1180, YCIV1220, YCIV1340, YCIV1380, YCIV1500 | 028 13849 000 | O-Ring | 3 |
| | | 026 37540 000 | Ctg Dehydrator 100% Molecular | 9 |
| | | 011 00962 000 | Oil, Type "L", 1 Qt | 3 |
| | | 026 35601 000 | Oil Filter | 4 |
| | | 028 13849 000 | O-Ring | 4 |
| 366 94952 025 | PM Kit for YCIV 4 Compressor Chiller Models YCIV0457, YCIV1649 | 026 37540 000 | Ctg Dehydrator 100% Molecular | 12 |
| | | 011 00962 000 | Oil, Type "L", 1 Qt | 4 |
| | | 026 35601 000 | Oil Filter | 2 |
| | | 028 13849 000 | O-Ring | 2 |
| | | 026 37540 000 | Ctg Dehydrator 100% Molecular | 6 |
| 366 94952 021 | PM Kit for YCAV 2 Compressor Chiller Models YCAV0157, YCAV0177, YCAV0187, YCAV0197, YCAV0207, YCAV0227, YCAV0247, YCAV0267S / 0267P, YCAV0569, YCAV0639, YCAV0679, YCAV0719, YCAV0739, YCAV0819, YCAV0889, YCAV0969S / 0969P | 011 00962 000 | Oil, Type "L", 1 Qt | 2 |
| | | 026 35601 000 | Oil Filter | 3 |
| | | 028 13849 000 | O-Ring | 3 |
| | | 026 37540 000 | Ctg Dehydrator 100% Molecular | 9 |
| | | 011 00962 000 | Oil, Type "L", 1 Qt | 3 |
| 366 94952 024 | PM Kit for YCAV 3 Compressor Chiller Models YCAV0267E / 0267V, YCAV0287, YCAV0307, YCAV0327, YCAV0357, YCAV0397S / 0397P, YCAV0969E / 0969V, YCAV1039, YCAV1139, YCAV1169, YCAV1309, YCAV1429S / 1429P | 026 35601 000 | Oil Filter | 4 |
| | | 028 13849 000 | O-Ring | 4 |
| | | 026 37540 000 | Ctg Dehydrator 100% Molecular | 12 |
| | | 011 00962 000 | Oil, Type "L", 1 Qt | 4 |
| | | 026 35601 000 | Oil Filter | 2 |
| 366 94952 025 | PM Kit for YCAV 4 Compressor Chiller Models YCAV0397E / 0397V, YCAV0417, YCAV0457, YCAV0477, YCAV0507, YCAV0527, YCAV1429E / 1429V, YCAV1549, YCAV1649, YCAV1739, YCAV1829, YCAV1909 | 028 13849 000 | O-Ring | 2 |
| | | 026 37540 000 | Ctg Dehydrator 100% Molecular | 6 |
| | | 011 00962 000 | Oil, Type "L", 1 Qt | 2 |
| | | 026 35601 000 | Oil Filter | 3 |
| | | 028 13849 000 | O-Ring | 3 |





YVAA / YVFA

| Kit PN | Kit Name & Applicable Models | Kit Contents | | |
|---------------|--|------------------|-------------------------------|-----|
| | | Item Part Number | Item Description | Qty |
| 366 94952 021 | PM Kit for YVAA Chiller Models 0153/0543/0165/0565/0178/0588/0183/0643/0195/0665/0198/0688/0200/0700/0213/0743/0215/0765/0218/0788/0233/0843/0245/0865/0248/0888/0263/0943/0270/0960/0273/0963/0275/0965/0278/0988/0295/1015/0303/1093/0305/1065/0308/1088/0318/1188/0323/1143/0333/1173/0343/1193/0345/1215 | 026 35601 000 | Oil Filter | 2 |
| | | 028 13849 000 | O-Ring | 2 |
| | | 026 37540 000 | Ctg Dehydrator 100% Molecular | 6 |
| | | 011 00962 000 | Oil, Type "L", 1 Qt | 2 |
| 366 94952 022 | PM Kit for YVAA Chiller Models 0443/1543/0483/1693/0490/1650/0500/1700/0523/1843 | 026 35601 000 | Oil Filter | 2 |
| | | 028 13849 000 | O-Ring | 2 |
| | | 026 46952 000 | Ctg Dehydrator 100% Molecular | 6 |
| | | 011 00962 000 | Oil, Type "L", 1 Qt | 2 |
| 366 94952 023 | PM Kit for YVAA Chiller Models 0368/1288/0373/1343/0375/1315/0398/1388/0413/1443/0425/1515/0428/1488 | 026 35601 000 | Oil Filter | 2 |
| | | 028 13849 000 | O-Ring | 2 |
| | | 026 37540 000 | Ctg Dehydrator 100% Molecular | 6 |
| | | 026 46952 000 | Ctg Dehydrator 100% Molecular | 6 |
| | | 011 00962 000 | Oil, Type "L", 1 Qt | 2 |
| 366 94952 021 | PM Kit for YVFA Chiller Models 0159/0539/0209/0709/0259/0889/0289/1009/0309/1069/0359/1239 | 026 35601 000 | Oil Filter | 2 |
| | | 028 13849 000 | O-Ring | 2 |
| | | 026 37540 000 | Ctg Dehydrator 100% Molecular | 6 |
| | | 011 00962 000 | Oil, Type "L", 1 Qt | 2 |
| 366 94952 022 | PM Kit for YVFA Chiller Models 0459/1589 | 026 35601 000 | Oil Filter | 2 |
| | | 028 13849 000 | O-Ring | 2 |
| | | 026 46952 000 | Ctg Dehydrator 100% Molecular | 6 |
| | | 011 00962 000 | Oil, Type "L", 1 Qt | 2 |
| 366 94952 023 | PM Kit for YVFA Chiller Models 0409/1419 | 026 35601 000 | Oil Filter | 2 |
| | | 028 13849 000 | O-Ring | 2 |
| | | 026 37540 000 | Ctg Dehydrator 100% Molecular | 6 |
| | | 026 46952 000 | Ctg Dehydrator 100% Molecular | 6 |
| | | 011 00962 000 | Oil, Type "L", 1 Qt | 2 |

YORK® Genuine Oil

YORK® PureOil™ offers superior lubrication to match the working conditions in your HVAC application. Our precise specifications ensure that all oil is produced to the highest quality standards for premium performance and durability. With YORK® PureOil, you can be confident that your lubricants deliver what your YORK® equipment needs.

The following table provides general guidelines showing which YORK® PureOil™ is used by chiller product line based on the type of refrigerant in the chiller system.

If you are unsure which oil to order, check the chiller nameplate/documentation for the correct oil type.

YORK® Oil Quick Reference Guide

| Type of York Oil | Refrigerant Compatibility | Size | Part number | Applicable Chiller Product Lines and Applications |
|------------------|---------------------------|-----------|---------------|--|
| C | R-11 R-123 R-22 | 5 Gal | 011 00312 000 | YR YS S0, S1, S7 Compressors YT |
| | | 55 Gal | 011 00313 000 | |
| F | R-22 R-123 | 1 Gal x 6 | 011 00954 000 | YCAL YK Style A, B, C YT |
| | | 5 Gal | 011 00434 000 | |
| | | 55 Gal | 011 00426 000 | |
| H | R-134a | 1 Gal x 6 | 011 00586 000 | YR, YS YD (ambient temperatures above 104F) |
| | | 2.5 Gal | 011 00993 000 | |
| | | 5 Gal | 011 00549 000 | |
| | | 55 Gal | 011 00550 000 | |
| J | R-134a | Quart | 011 00599 000 | YK (special applications) |
| | | 1 Gal x 6 | 011 00974 000 | |
| | | 2.5 Gal | 011 00994 000 | |
| | | 5 Gal | 011 00558 000 | |
| | | 55 Gal | 011 00559 000 | |
| K | R-134a R-513a | Quart | 011 00572 000 | YK (all styles with R-134a or R-513a) CYK, YK-EP YST, YB YG YD (ambient temperatures below 104F) |
| | | 1 Gal x 6 | 011 00560 000 | |
| | | 2.5 Gal | 011 01046 000 | |
| | | 5 Gal | 011 00533 000 | |
| | | 55 Gal | 011 00534 000 | |
| L | R-134a R-513a | Quart | 011 00962 000 | YCAS, YCAV, YCIV, YVAA, YVFA |
| | | 1 Gal x 6 | 011 00956 000 | |
| | | 2.5 Gal | 011 00995 000 | |
| | | 5 Gal | 011 00592 000 | |
| | | 55 Gal | 011 00591 000 | |
| S | R-22 | 5 Gal | 011 00922 000 | YS S2-S5 Compressors |
| | | 55 Gal | 011 00921 000 | |
| V | R407c | 5 Gal | 011 00949 000 | YCAL |